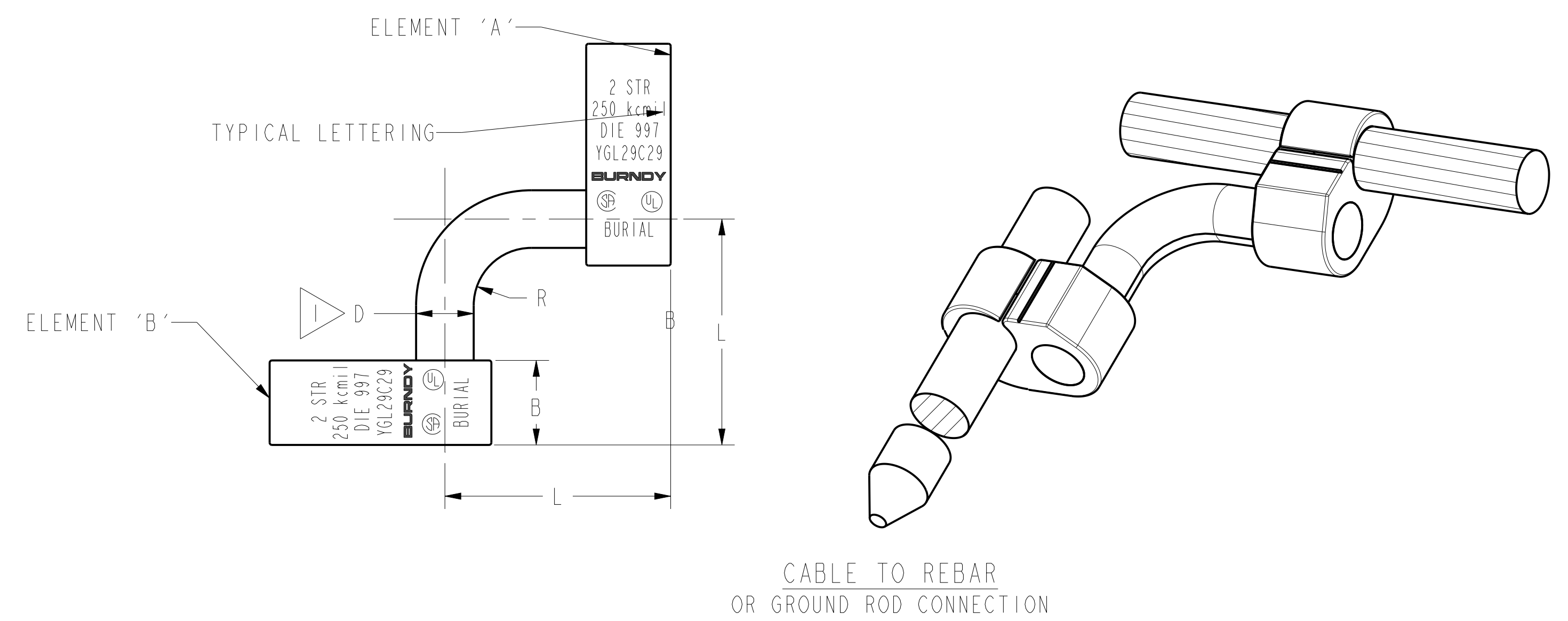
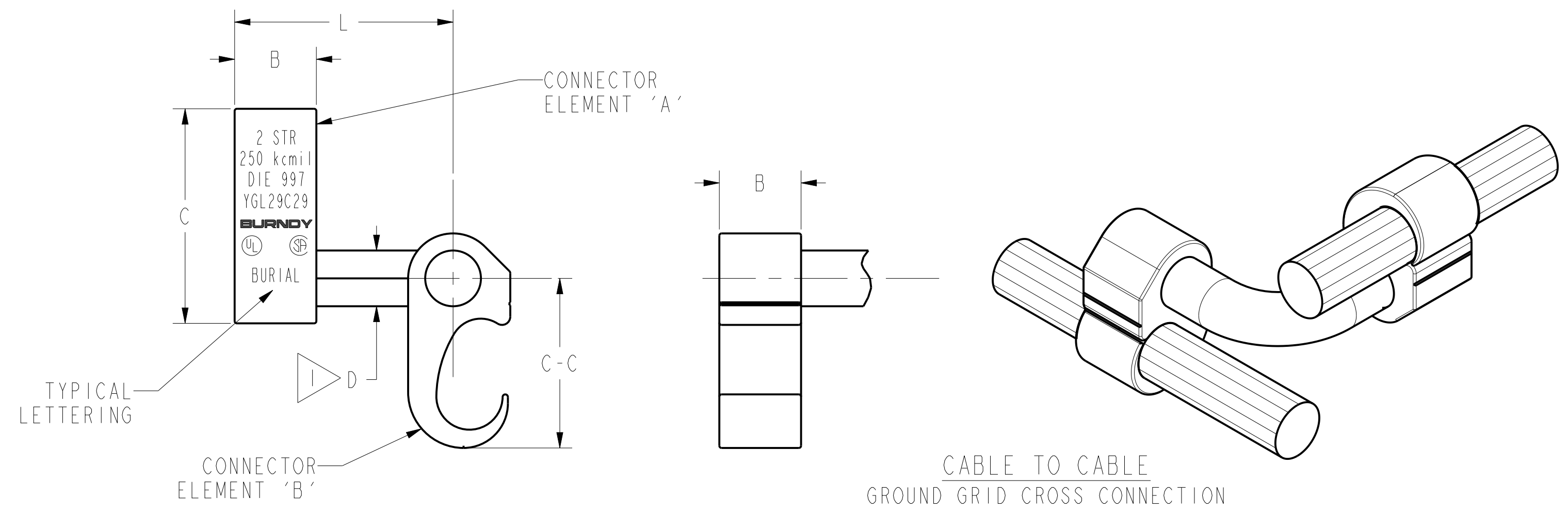


CATALOG NUMBER	CABLE TO CABLE COMMERCIAL COPPER CONDUCTOR RANGE			CABLE TO GROUND ROD COMMERCIAL COPPER CONDUCTOR RANGE		B	C	C-C	D	L	R
	GROOVE 'A' (ELEMENT 'A')	GROOVE 'B' (ELEMENT 'B')	GROOVE 'A' (ELEMENT 'A')	GROOVE 'B' (ELEMENT 'B')							
YGL2C2	#6 SOL. (.162 DIA.) - #2 STR. (.292 DIA.) [10mm ² (Ø4.1mm) - 35mm ² (Ø7.6mm)]	#6 SOL (.162 DIA.) - #2 STR. (.292 DIA.) [10mm ² (Ø4.1mm) - 35mm ² (Ø7.6mm)]	-----	-----			1.09 [27.7]	1.09 [27.7]	.31 [8.0]		.31 [8.0]
YGL29C2	#1 STR. (.332 DIA.) - 250 kcmil (.575 DIA.) [40mm ² (Ø8.4mm) - 120mm ² (Ø14.4mm)]	#6 SOL (.162 DIA.) - #2 STR. (.292 DIA.) [10mm ² (Ø4.1mm) - 35mm ² (Ø7.6mm)]	ROD 1/2" - 5/8" [12.7 - 15.9]	#6 SOL (.162 DIA.) - #2 STR. (.292 DIA.) [10mm ² (Ø4.1mm) - 35mm ² (Ø7.6mm)]			1.66 [42.2]	1.66 [42.2]	.50 [12.7]	2.50 [63.5]	.50 [12.7]
YGL29C29	#2 STR. (.292 DIA.) - 250 kcmil (.575 DIA.) [35mm ² (Ø7.6mm) - 120mm ² (Ø14.4mm)]	#2 STR. (.292 DIA.) - 250 kcmil (.575 DIA.) [35mm ² (Ø7.6mm) - 120mm ² (Ø14.4mm)]		#2 STR. (.292 DIA.) - 250 kcmil (.575 DIA.) [35mm ² (Ø7.6mm) - 120mm ² (Ø14.4mm)]		.75 [19.1]	1.66 [42.2]	1.66 [42.2]	.50 [12.7]		.50 [12.7]
YGL34C2	250 kcmil (.575 DIA.) - 500 kcmil (.813 DIA.) [120mm ² (Ø14.4mm) - 240mm ² (Ø20.4mm)]	#6 SOL (.162 DIA.) - #2 STR. (.292 DIA.) [10mm ² (Ø4.1mm) - 35mm ² (Ø7.6mm)]	ROD 5/8" - 3/4" [15.9 - 19.1]	#6 SOL (.162 DIA.) - #2 STR. (.292 DIA.) [10mm ² (Ø4.1mm) - 35mm ² (Ø7.6mm)]			2.09 [53.1]	1.09 [27.7]	.31 [8.0]		.31 [8.0]
YGL34C29		#2 STR. (.292 DIA.) - 250 kcmil (.575 DIA.) [35mm ² (Ø7.6mm) - 120mm ² (Ø14.4mm)]		#2 STR. (.292 DIA.) - 250 kcmil (.575 DIA.) [35mm ² (Ø7.6mm) - 120mm ² (Ø14.4mm)]				1.66 [42.2]	.50 [12.7]		.50 [12.7]
YGL34C34		250 kcmil (.575 DIA.) - 500 kcmil (.813 DIA.) [120mm ² (Ø14.4mm) - 240mm ² (Ø20.4mm)]		250 kcmil (.575 DIA.) - 500 kcmil (.813 DIA.) [120mm ² (Ø14.4mm) - 240mm ² (Ø20.4mm)]			1.10 [27.9]	2.28 [57.9]	2.28 [57.9]	.75 [19.1]	2.94 [74.7]

CATALOG NO.	INSTALLATION TOOLS, DIE SET CAT. NO. (NUMBER OF CRIMPS)							
	Y750/Y35/Y39 HYPRESS™		PAT750-18V		Y45 HYPRESS™		Y46 HYPRESS™	
	ELEMENT "A"	ELEMENT "B"	ELEMENT "A"	ELEMENT "B"	ELEMENT "A"	ELEMENT "B"	ELEMENT "A"	ELEMENT "B"
YGL2C2	U-0 (1)	U-0 (1)	U-0 (1)	U-0 (1)	U-0 (1)	U-0 (1)	U-0 (1)	U-0 (1)
YGL29C2	U997 (1)	U-0 (1)	U997P (1)	U-0 (1)	U997 (1)	U-0 (1)	U997 (1)	U-0 (1)
YGL29C29	U997 (1)	U997 (1)	U997P (1)	U997P (1)	U997 (1)	U997 (1)	U997 (1)	U997 (1)
YGL34C2	PU998 (1)	U-0 (1)	PU998 (1)	U-0 (1)	S998 OR PU998 (1)	U-0 (1)	P998 OR PU998 (1)	U-0 (1)
YGL34C29	PU998 (1)	U997 (1)	PU998 (1)	U997P (1)	S998 OR PU998 (1)	U997 (1)	P998 OR PU998 (1)	U997 (1)
YGL34C34	U1011 (3)	U1011 (3)	U1011 (3)	U1011 (3)	S1011 (2)	S1011 (3)	P1011 (3)	P1011 (3)

CATALOG NO.	CABLE TO REBAR	
	ELEMENT "A"	ELEMENT "B"
YGL2C2	-----	-----
YGL29C2	ROD 3/8" - 1/2" [9.5 - 12.7]	#6 SOL (.162 DIA.) - #2 STR. (.292 DIA.) [10mm ² (Ø4.1mm) - 35mm ² (Ø7.6mm)]
YGL29C29	#3 - #4 REBAR	#2 STR. (.292 DIA.) - 250 kcmil (.575 DIA.) [35mm ² (Ø7.6mm) - 120mm ² (Ø14.4mm)]
YGL34C2	ROD	#6 SOL (.162 DIA.) - #2 STR. (.292 DIA.) [10mm ² (Ø4.1mm) - 35mm ² (Ø7.6mm)]
YGL34C29	5/8" - 3/4" [15.9 - 19.1]	#2 STR. (.292 DIA.) - 250 kcmil (.575 DIA.) [35mm ² (Ø7.6mm) - 120mm ² (Ø14.4mm)]
YGL34C34	#5 - #6 REBAR	250 kcmil (.575 DIA.) - 500 kcmil (.813 DIA.) [120mm ² (Ø14.4mm) - 240mm ² (Ø20.4mm)]



- NOTES:
- BEFORE CRIMPING BOTH CONNECTOR ELEMENTS CAN BE TURNED ON ROD DIAMETERED "D" TO ANY DESIRED POSITION.
 - GROOVES ARE FILLED WITH PENETROX™ "E".
 - FOR BETTER TORQUE STRENGTH ON GROUND ROD, PER CRIMP CROUND ROD WITH U2CAB DIE (DIE INDEX 348).
 - SUITABLE FOR DIRECT BURIAL IN EARTH OR CONCRETE.
 - WHERE A "U" OR "PU" DIE IS RECOMMENDED WITH THE Y45 HYPRESS™, A PT65I5 ADAPTER MUST BE USED.
 - WHERE A "U" OR "PU" DIE IS RECOMMENDED WITH THE Y46 HYPRESS™, A PUADP-1 ADAPTER MUST BE USED.
 - CLEAN RUST AND PROTECTIVE COATINGS FROM REBAR BEFORE CONNECTOR INSTALLATION TO PROVIDE A PROPER GROUND CONNECTION, PER-CRIMPING IS NOT REQUIRED.
 - DIMENSIONS IN [] BRACKETS ARE IN MILLIMETERS, ROUNDED OFF TO THE NEAREST MILLIMETER, UNLESS OTHERWISE NOTED. METRIC DIMENSIONS ARE FOR REFERENCE ONLY.
 - MATERIAL: HIGH CONDUCTIVITY WROUGHT COPPER.
 - THESE CONNECTORS CAN ONLY BE INSTALLED USING THE Y750, Y45, OR Y46 HYPRESS™ WITH THE RECOMMENDED DIES. THESE CONNECTORS CANNOT BE INSTALLED WITH Y35 and Y39 HYPRESS™.

COMPRESSION GROUND CONNECTOR			
ITEM NO:	N/A		
CAT. NO:	YGL-C- (TABLE)		
DRAWN BY:	C. RACANO	10/31/78	
CHECKER:	C. A. R.	10/31/78	
DSN APPVL:	J. HUS	06/08/79	
MFG APPVL:	--	--	
GA APPVL:	--	--	
MKT APPVL:	--	--	
PROD FAM:	--	DRAWING NO	REV
PROJECT #:	--	SIZE	SD082258-01
DOCUMENT TYPE:	Sales	D	SHEET 1 OF 1
REL LEVEL:	Released		

REV: PEO200